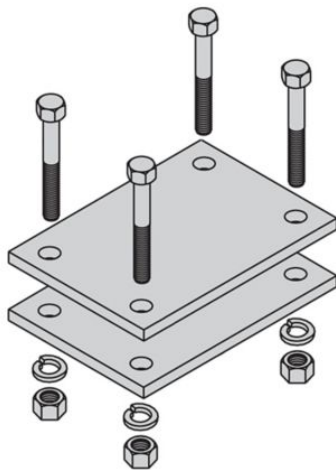


Eaton SB217AYZ

Catalog Number: SB217AYZ

Eaton auxiliary support kit, Steel, (2) plates with 3/8"-16 hardware, Yellow zinc, 1" x 2" Intersecting splice plate kit

General specifications



Product Name
Eaton auxiliary support kit

Catalog Number
SB217AYZ

UPC
799038019336

Product Length/Depth
5 in

Product Height
0.225 in

Product Width
3.5 in

Product Weight
3 lb

Certifications
Not Applicable

Product specifications

Model

1" x 2" intersecting splice plate kit

Material

Steel

Finish

Yellow zinc chromate

Resources

Catalogs

[auxillary supports](#)

Specifications and datasheets

[Eaton Specification Sheet - SB217AYZ](#)



Eaton Corporation plc
Eaton House
30 Pembroke Road
Dublin 4, Ireland
Eaton.com
© 2023 Eaton. All Rights Reserved.

Eaton is a registered trademark.

All other trademarks are property of their respective owners.



[Eaton.com/socialmedia](https://www.eaton.com/socialmedia)